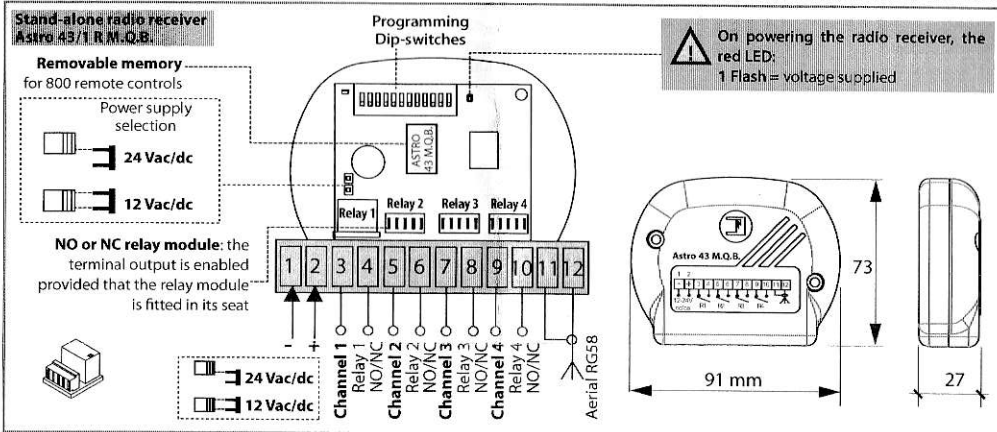
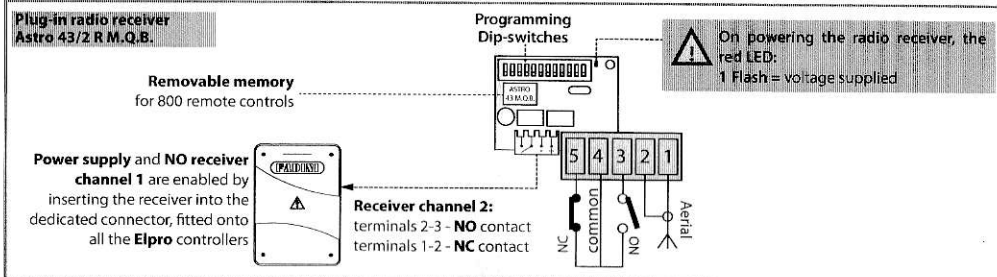


GB ASTRO 43/1 R.M.Q.B. (stand-alone receiver) - ASTRO 43/2 R.M.Q.B. (plug-in receiver)

GENERAL DESCRIPTION:

Astro 43 M.Q.B. is a **plug-in** radio receiver with 2 channels (Astro 43/2 R.M.Q.B.) and **stand-alone** up to 4 channels (Astro 43/1 R.M.Q.B.) - enabled by modules), self-learning, to operate with a 433,92 MHz radio signal.

Please note: do not expose the receiver to electro-magnetic or heat sources.

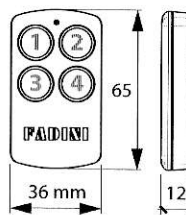


TECHNICAL DATA

Stand-alone receiver (Astro 43/1 R.M.Q.B.) and plug-in receiver (Astro 43/2 R.M.Q.B.)	
Frequency	433,92 MHz
Power supply	12/24 Vac/dc (stand-alone) 24 Vac/dc (plug-in)
Max absorption	20 mA
Aerial impedance	50 Ohm
Working temperature	-10 °C +55 °C
Relay contact rating	0,5 A - 120 Vac or 1A-24 Vdc
Distance range	120 m (*)
No. of outputs max.	4 (ASTRO 43/1 R.M.Q.B.) 2 (ASTRO 43/2 R.M.Q.B.)
Transmitters in the memory	800

Transmitter (DIVO 71)

Frequency	433,92 MHz
Battery	1 x 3 V - CR2032
Estimated battery life	2 years
Encoding system	Fixed code
Working temperature	-10 °C +55 °C
Dimensions	65 x 36 x 12 mm
Weight	23 g
Radiated power	< 10 mW e.r.p.



(*) in bad weather or in case of dusts or obstructed transmission field, distance can be reduce by 50%

DIP-SWITCH

- Dip 1 = relay 1: channel 1
- Dip 2 = relay 2: channel 2
- Dip 3 = relay 3: channel 3
- Dip 4 = relay 4: channel 4
- Dip 5 = enables memorization of the receiver channels
- Dip 6 = enables delete one transmitter only
- Dip 7 = enables the function Bistable
- Dip 8 = Timer 1 (1 s + 15 min)
- Dip 9 = Timer 2 (1 s + 15 min)
- Dip 10 = enables the function delete all memory

UE DECLARATION OF CONFORMITY (DoC)

Hereby, **Meccanica FADINI snc**, declares that ASTRO 43 M.Q.B. is in compliance with the essential requirements and other relevant provisions of Directive 2014/53/UE. The declaration of conformity can be viewed on this website: www.fadini.net in the product section.



Meccanica FADINI snc
Manufacturer

MEMORIZING 1 RADIO CHANNEL ON ONE OR MORE REMOTE CONTROLS (DIVO 71)

operation 1	operation 2	operation 3	operation 4
PLUG-IN RADIO RECEIVER: Fit the receiver card into the connector in the Elpro controller, aerial connected.	ON 5 + ON 1 or 2, 3, 4 Position to ON the Dip-switch corresponding to the enabled radio channel	In proximity of the radio receiver press the transmitter button and wait for the LED to go on and off in the radio receiver before memorizing other transmitters	OFF Position to OFF all the Dip-switches 5 confirming flashes
STAND-ALONE RADIO RECEIVER: Fit the relay module on to the dedicated seat corresponding to the required channel, power supply and connect the aerial.			

DELETING A REMOTE CONTROL FROM THE MEMORY

operation 1	operation 2	operation 3	operation 4
Radio receiver power supplied and aerial connected	ON 6 Position to ON Dip-switch 6	In proximity of the radio receiver press a transmitter button and wait for the LED flash in the radio receiver before deleting other transmitters	Wait for confirming flashes deleting achieved before stopping the operation OFF 6 6 confirming flashes

ATTENTION: the memory does not receive any signal from that transmitter any longer, but the transmitter code remains in the memory.

DELETING THE TOTAL MEMORY

operation 1	operation 2	operation 3	operation 4
Radio receiver power supplied and aerial connected	ON 10 Position to ON Dip-switch 10	In proximity of the radio receiver press a transmitter button for at least 5 seconds. The red led of the receiver stays on until the operation is finished.	Wait for confirming flashes deleting achieved before stopping the operation OFF 10 10 confirming flashes

ADDITIONAL FUNCTIONS PERFORMED BY THE STAND-ALONE RECEIVER (ASTRO 43/1 R.M.Q.B.) AND PLUG-IN RECEIVER (ASTRO 43/2 R.M.Q.B.)

	operation 1	operation 2	operation 3	operation 4
Bistable output step-by-step function	Memorize a transmitter button on a radio channel (see radio receiver memorizing) on which this function is required to be enabled	ON 7 + ON 1 or 2, 3, 4 Position to ON the Dip-switch corresponding to the radio channel enabled to this function	In proximity of the radio receiver press a button of the transmitter and wait for the LED to go on and off in the radio receiver	OFF Position to OFF all the Dip-switches 7 confirming flashes
Timer 1 output input	Memorize a transmitter button on a radio channel (see radio receiver memorizing) on which this function is required to be enabled	ON 8 + ON 1 or 2, 3, 4 Position to ON the Dip-switch corresponding to the radio channel enabled to this function	minutes seconds max 15 max 60	Position to OFF all the Dip-switches the led in the receiver flashes as many times as follows: - long flashes as the minutes - short flashes as the seconds + 8 confirming flashes
Timer 2 output input out pulse for 200 ms	Memorize a transmitter button on a radio channel (see radio receiver memorizing) on which this function is required to be enabled	ON 9 + ON 1 or 2, 3, 4 Position to ON the Dip-switch corresponding to the radio channel enabled to this function	minutes seconds max 15 max 60	Position to OFF all the Dip-switches the led in the receiver flashes as many times as follows: - long flashes as the minutes - short flashes as the seconds + 9 confirming flashes
Deleting the additional functions Resetting the enabled channel back to normal operating mode	ON 7 8 9 Position to ON Dip-switches 7, 8, 9	ON 1 Position to ON the Dip-switch corresponding to the radio channel enabled to the additional function	In proximity of the radio receiver press a transmitter button for 5 seconds and wait for the LED to go on and off in the radio receiver	Position to OFF all the Dip-switches 3 confirming flashes

ATTENTION: after each pressing of the buttons, wait for the led to go off as a confirmation that the time has been memorized.

Dis. N. 8536



Via Mantova, 177/A - 37053 Cerea (VR) Italy
Ph. +39 0442 330422 - Fax +39 0442 331054
info@fadini.net - www.fadini.net

02/2019

