



Motorized Solutions Pty Ltd

Unit 2, 60 Box Road,
TAREN POINT NSW 2229

P: 02 9525 9588
E: sales@acdcms.com.au

AT-011 Electric Chain Actuator 200mm Stroke

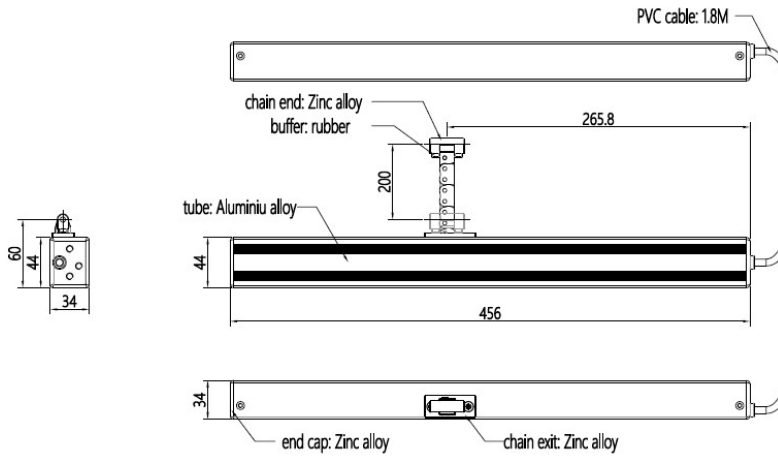


- Suitable for top-hinged windows, bottom-hinged windows and various applications
- Fixed stroke 200mm
- Stainless steel double link chain
- Push-pull force 250N available in operating voltage 24Vdc and 230Vac with current absorption
- External casing in zinc alloy and aluminium

Parameters	24V	220V
Voltage	DC24V±10%	DC24V±10%
Cutoff Current	0.6A	0.15A
Force	250N	250N
Speed	10mm/s	10mm/s
Temperature	-20-75° C	-20-75° C
Protection Class	IP32	IP32
Electric Connection	2 wires	3 wires + earth
Limit Stop	Electronic	Electronic

* Special order available for custom strokes/voltages/push-pull force upon request (minimum quantities)

AT-011AC200MM250N



AT-011DC200MM250N

