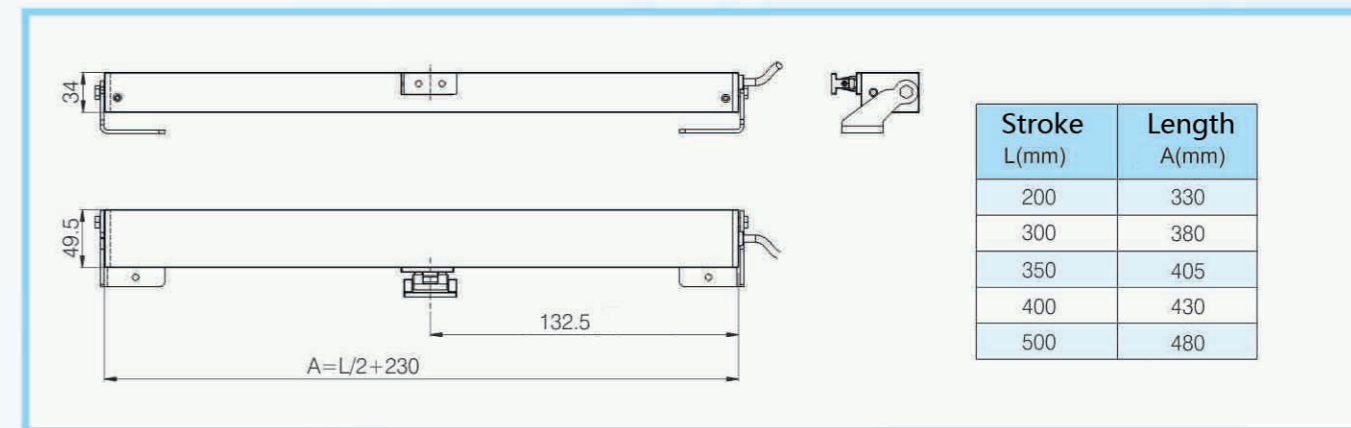
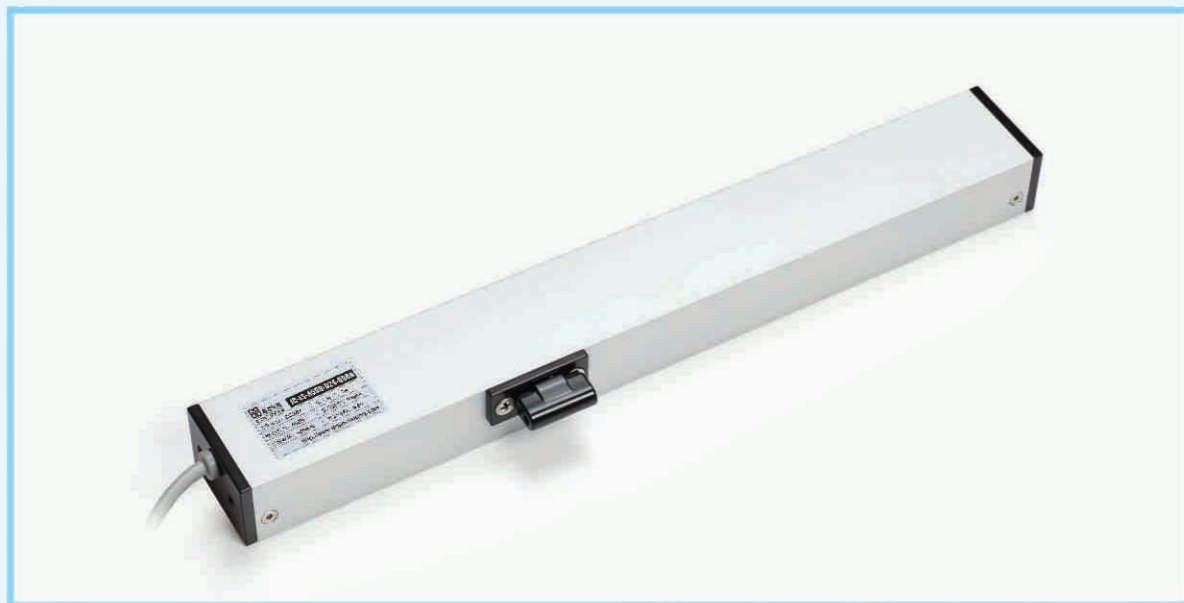
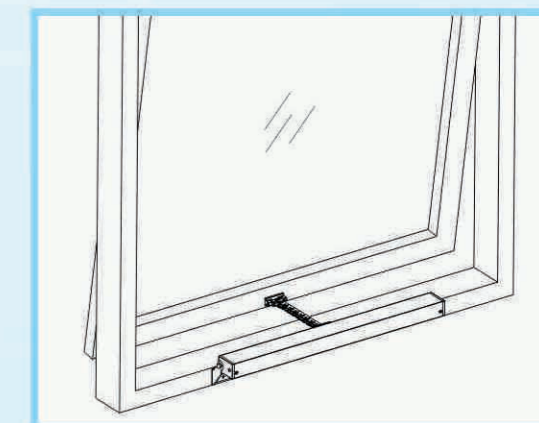
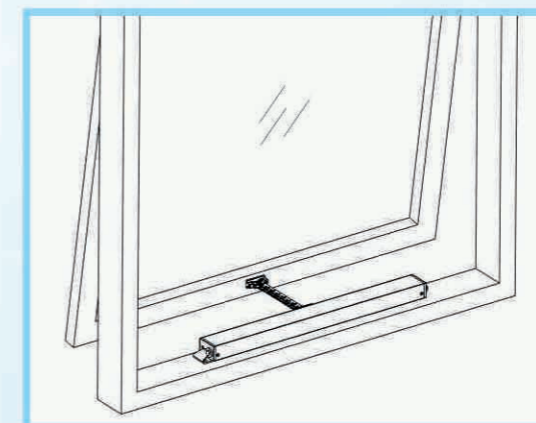


CS Series of Electric Chain Window Device



- Suitable for top / center-pivoted / hopper window , casement window ,heavy skylight and glass –curtain wall open or closing ;
- Simple but delicacy design
- Optional installation ;
- Use double link chain that works more stable and smooth ;
- Electronic overload cutoff;
- Endurance tests (30,000 cycles) are carried out ;
- Various strokes and col can be tailor-made ;



Specifications	Units	Technical Data
		CS - D12
Thrust / Relay	N	250N
Maximum operating current	A	1.5
Stroke	mm	50~400
speed	mm/sec	~10
Operating voltage	V	DC12V
Ambient temperature	℃	-20~ +75
Protection class	IP	32

