

## CS Series of Electric Chain Window Device

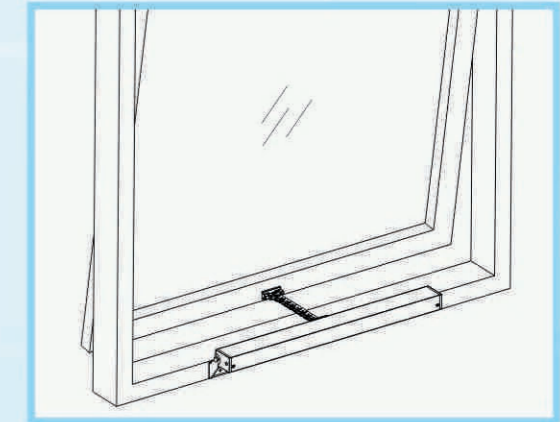
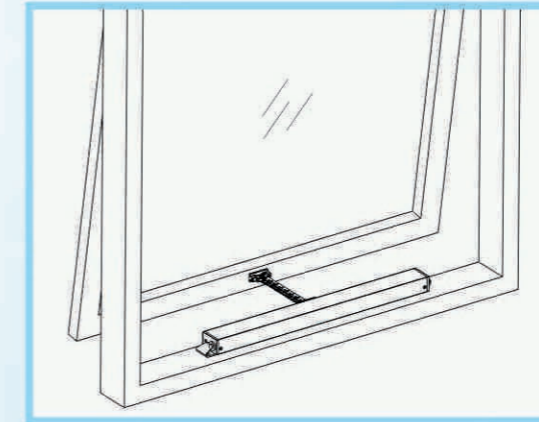
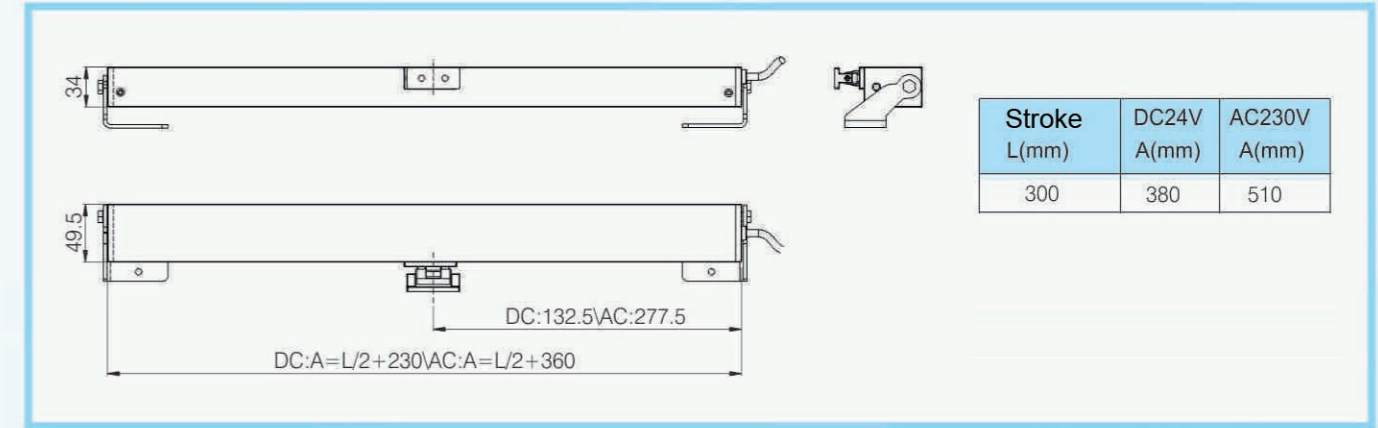


Stroke Adjusting Button



**NOW AVAILABLE WITH REMOTE CONTROL**

- Suitable for top / center-pivoted / hopper window casement window, heavy skylight and glass-curtain wall open or closing;
- Simple slimline design
- Optional remote can control up to 20 actuators within range
- Double link chain to ensure smoothness and stability
- Electronic overload cutoff
- Endurance tests (30,000 cycles) carried out



Specifications	Units	Technical Data	
		AT-28DC	AT-28AC
Thrust / Relay	N	250N	250N
Maximum operating current	A	1.0	0.4
Stroke Options (adjustable)	mm	150/200/250/300mm	150/200/250/300mm
speed	mm/sec	~10	~10
Operating voltage	V	DC24V ± 10%	AC220V ± 10%
Ambient temperature	°C	-20~+75	-20~+75
Protection class	IP	32	32

