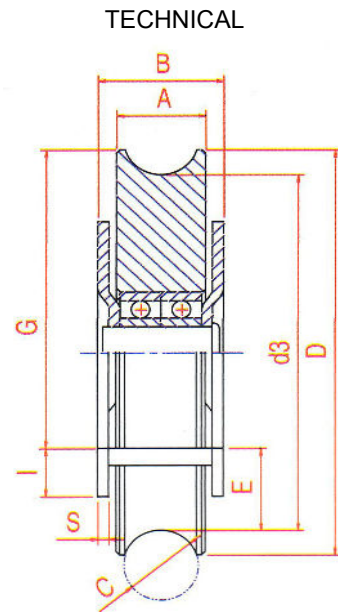
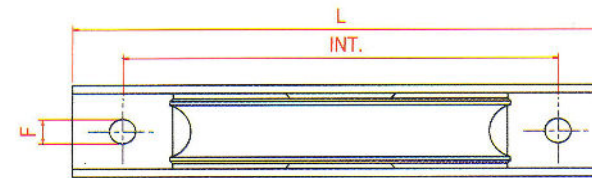


SLIDING GATE BOTTOM TRACK BEARING ROLLERS

1, BOTTOM ROLLER WITH WELDED SUPPORT & DUAL BEARINGS

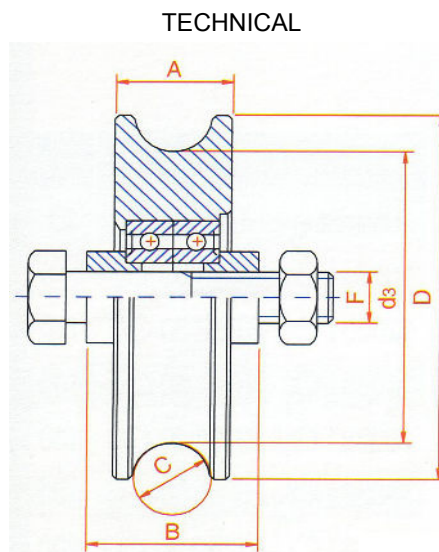
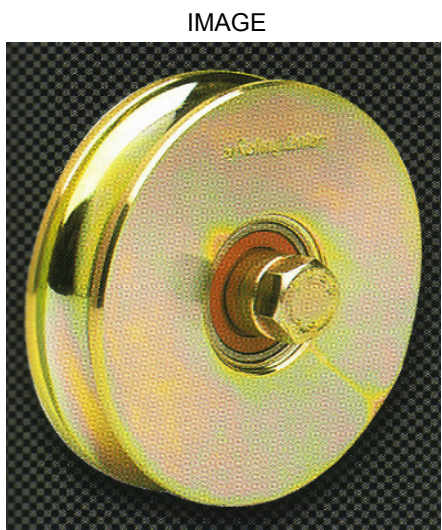


DIMENSIONS											
MODEL	D	A	B	C	G	I	E	S	L	d3	WEIGHT CAPACITY
	Ø	mm			Ø	mm				Ø	
90PSO	90	26	34	21	63	12	16	3	140	70	220kg
120PSO	120	26	38	21	88	14	21	3	186	100	350kg



Bottom Dimensions

2, BOTTOM ROLLER WITH AXLE BOLT & DUAL BEARINGS



DIMENSIONS							
MODEL	D	A	B	C	F	d3	WEIGHT CAPACITY
	Ø	mm			METRIC	Ø	
120	120	30	44	21	M 14 x 70	100	350kg
160	160	30	44	21	M 14 x 70	140	450kg