

# ET-35 Roller Door Opener

**NEW AND  
IMPROVED  
MODEL**

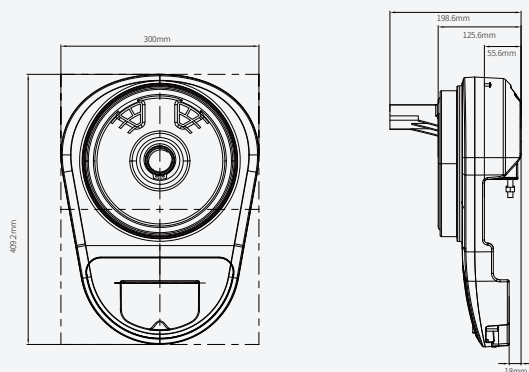
- Quiet and Powerful Motor
- Battery backup compatible
- Compliant to Australia and New Zealand AS/NZS standard










Door Types: Residential rolling garage doors



## Dimension



## Security

-  **Soft start, soft stop**  
for smooth, quiet, long-term reliable performance
-  **Automatic safety reverse**  
to reverse the garage door automatically when meeting obstacle
-  **Dynamic force sensing**  
to monitor and adjust the force needed to open your garage door
-  **Overload protection**  
to cease the opener's operation if the opener is overloaded which protects your opener and extends life.
-  **Auto timer closing**  
to automatically close the door after a pre-set time
-  **Manual mode in case of power failure**  
to allow you to open your garage door whenever needed
-  **IP34**  
Solid object protection (larger than 2.5mm) and limited water splash resistance

## ACCESSORIES



4-Chanel remotes  
ET-TRANSM



Weight bar

## ADD-ONS



### Wireless keypad- ET-SECPAD

Convenient and safe access to your garage without using a remote or key  
4 channels available

ET-WIRELESS



### Wall button - ET-WIRELESS

Convenient access to control your garage door inside garage  
2 channels available



### Photocell - ORBITA 57

Providing additional safety in the operation of your garage door



### Universal receiver

4 channels available, 400 remote capacity to support large quantity remote control locations

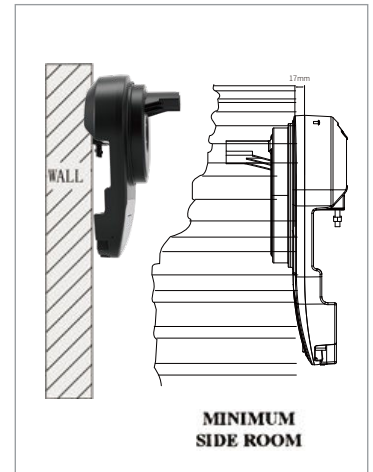


### Battery backup

Keep operating in case of power failure

## Technical data

Model	ET1200
Input voltage	110-120VAC/230-240VAC 50/60Hz
Max. pulling force	1200N
Opening speed	160mm/s
Lamp	LED
Radio frequency	433.92MHz
Working temperature	-20~+40°C
Door height	up to 7.2m
Door area	20m <sup>2</sup>



## Key Benefits

### INSTALLATION



#### INSTALLATION: straight-forward

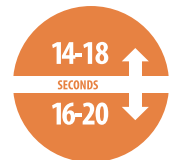
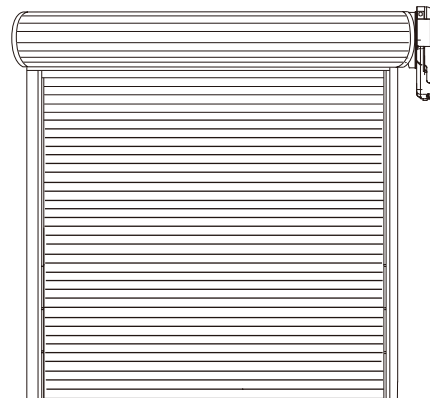
- Installation and programming is quick and easy.

### ELECTRICAL



#### LIGHTING: LED LIGHTING

- LED light turns on with activation.
- Turns off 3 minutes after operation.



(02) 9525 9588  
www.acdcms.com.au