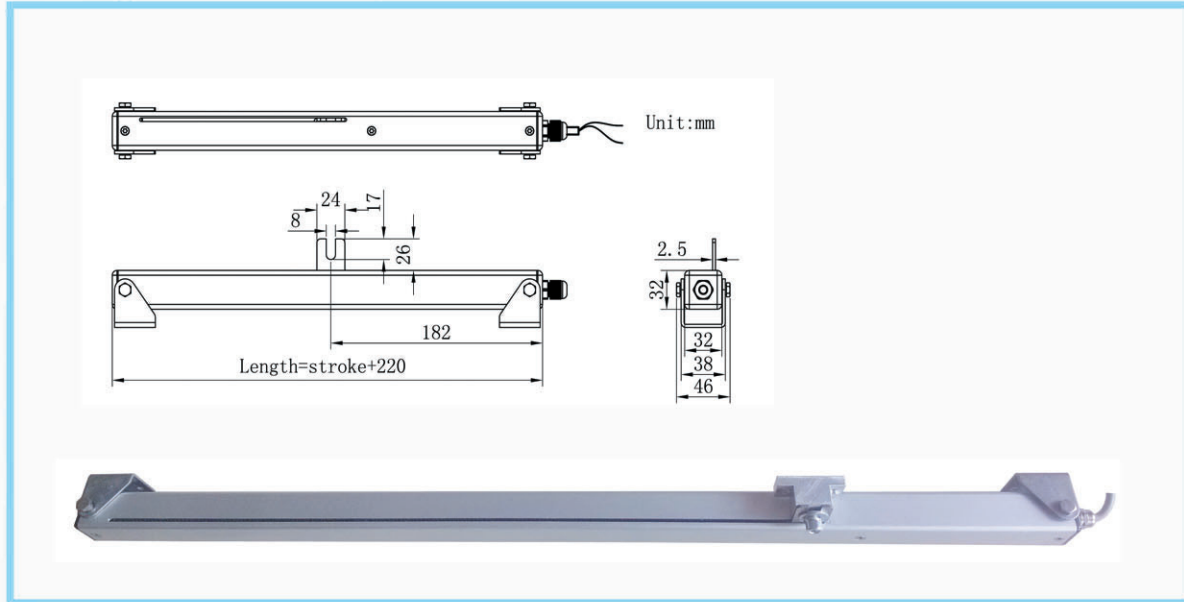


LH Electric Sliding Device



RoHS



Specifications	Units	Technical Data
		Series
Thrust / Relay	N	300N
Maximum operating current	A	1.0
Travel distance	mm	50~1000
Promote the speed of	mm/sec	~12
Operating voltage	V	DC24V ± 10%
Ambient temperature	°C	-20~ +75
Protection class	IP	32