

MIRI 4

Flashing Lamp 230V

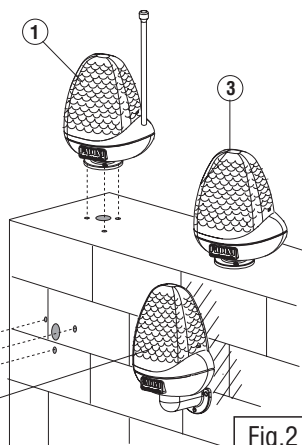
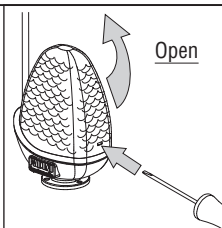


Fig. 2

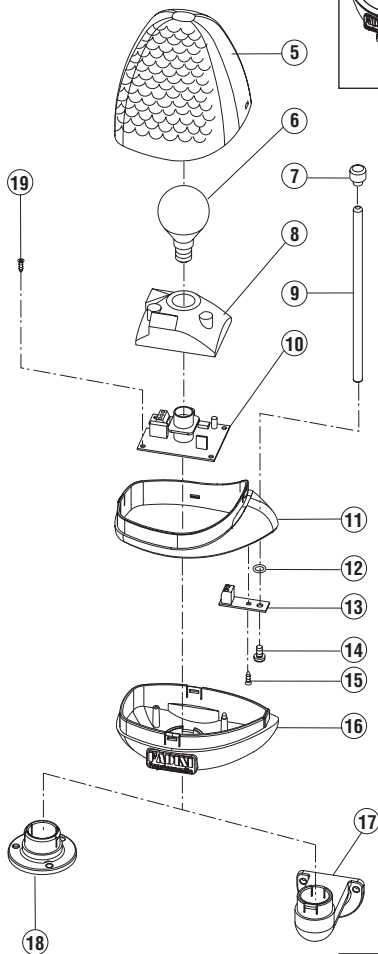


Fig. 1

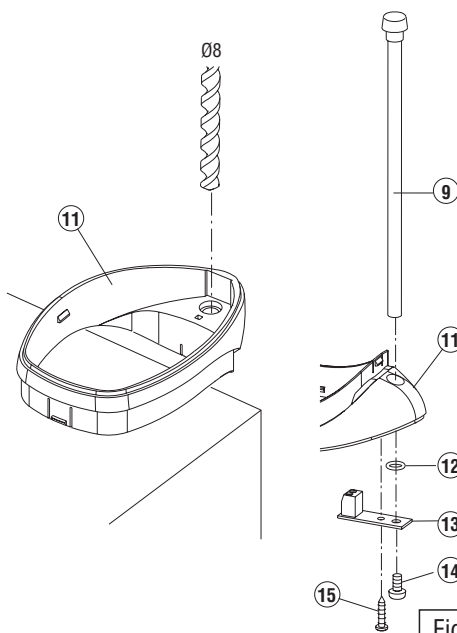


Fig. 3

GB How to install it:

The flashing lamp MIRI 4 is a device to signal when an automatic access system is operated; designed to meet the most various application requirements by means of a versatile fixing system, either a bracket for wall fixing (17) or vertical foot (18); three screws (not included) are required to fix the unit (Pic. 2). The standard option does not include the aerial (9) and the aerial fixing plate (13) (see Pic.2); these components can be included on request (Pic. 3). For the electrical connections to the flashing lamp PC board it is recommended to use wires having a square section of 1.5 mm²; whereas the aerial is to be connected using the Rg58 coaxial cable. It is important to position the vertical foot collar (18) so that the two indentations are parallel to the surface line of the wall or post the lamp is to be fixed on to.

How to fit the receiving aerial (9) to the lamp collar (11) (Pic. 3): first drill the collar (11) to get a hole in the provided seat; it is advisable to firmly set it on to a flat surface for this operation (see Pic. 2); then insert the aerial (9) into the hole, put the seal (12) to fit its seat in the collar (11), and last fix the plate (13) to the aerial (9) by a screw (14) and to the collar (11) by a selftapping screw (15) (Pic.2).

Component parts of MIRI 4 flashing lamp - Pic. 1

- | | |
|--|--|
| 1 - Miri 4 vertically mounted c/w aerial | 10 - PC board c/w lamp holder 230 V 25W |
| 2 - Miri 4 wall mounted c/w aerial | 11 - Collar and aerial support |
| 3 - Miri 4 vertically mounted | 12 - Seal OR 2031 |
| 4 - Miri 4 wall mounted | 13 - Aerial connecting plate |
| 5 - Clear dome made of methacrylate | 14 - Aerial fixing screw M5x16 |
| 6 - 230V 25W lamp | 15 - Aerial plate fixing screw |
| 7 - Aerial top pin | 16 - Lamp base |
| 8 - Lamp holder cover | 17 - Wall fixing bracket |
| 9 - Aerial rod | 18 - Vertical fixing |
| | 19 - Lamp holder fixing screw (not included) |

Dis. N. 3923



Via Mantova, 177/ A - 37053 Cerea (Verona) Italy - Tel. 0442 330422 r.a.
Fax 0442 331054 - e-mail: info@fadini.net - www.fadini.net