



# ZERO.PH



## RECESS AND SURFACE MOUNT PHOTOCELLS

### WHEN DESIGN CAN ILLUMINATE

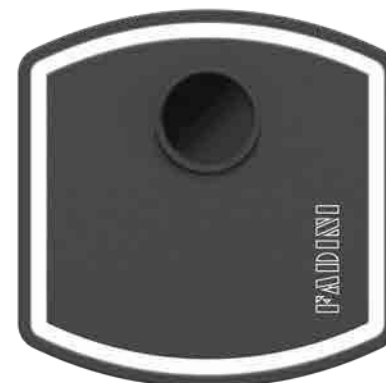
Safety device with infrared modulated light type D, conforming to EN 12453 norms. The set consists of a receiver and a transmitter. The electronic components and optic are protected inside a watertight plastic case. Luminous frame by a white led.

### EASY TO INSTALL

Compact size and dimensions: only 18 mm jutting from surface line level with the recess version. ABS body with a high level of resistance to atmospheric agents. Complete line including posts and fixing supports.

### RELIABLE

Distance range 20 m. Relay output enabling connection to any ELPRO control unit or any existing installation. Supply voltage 24 Vac/dc.



**140L**  
ZERO.PH  
pair of photocells  
surface mount (1 pc/pack)



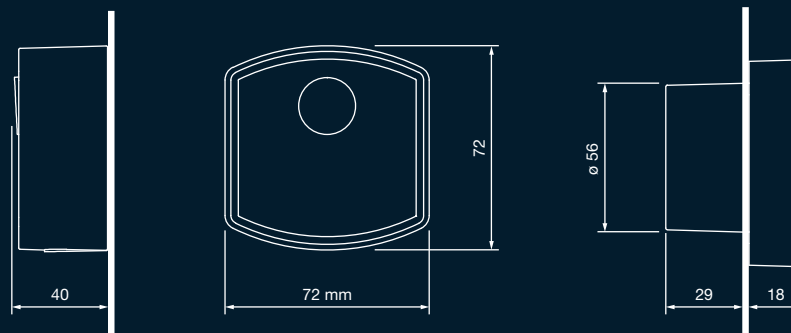
**141L**  
ZERO.PH  
pair of photocells  
recess mount (1 pc/pack)



## TECHNICAL DATA

Modulated light frequency (Hz)	625/320
Power supply (Vac/dc)	12/24
Transmitter max. absorption (mA)	26
Receiver max. absorption (mA)	36
Working temperature (°C)	-20 ÷ +70
Output contact (Vdc, A/Vac, A)	30, 1/125, 0,3
Distance range (m) [N]	20
Contact detection time (ms)	6
Grade of protection IP	55

## OVERALL DIMENSIONS



[N]: Distance decreases by 30-50% approx. in case of fog, rain or dusts.